

VS Q BALL VALVE 100130

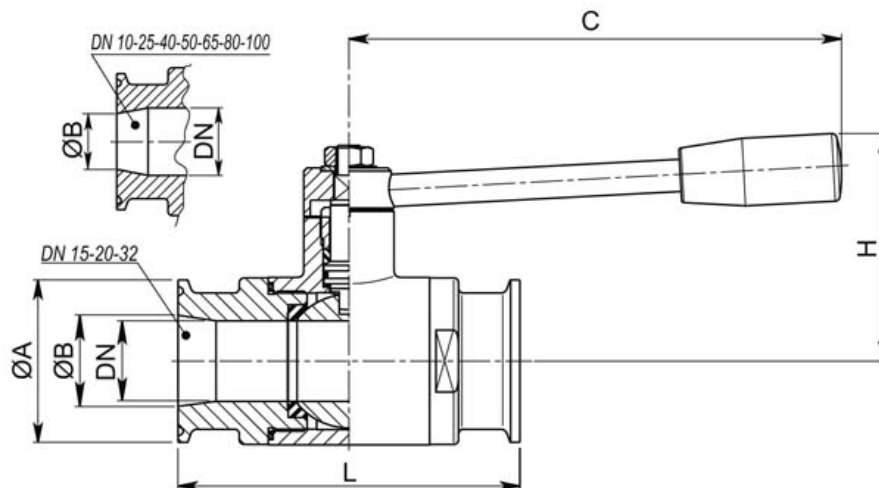


100130

2 WAY ball valves
Steering control: stainless steel lever
Connection: CLAMP
Bore through: Total
Material: AISI 304 - 316
Size: from 1/2" to 4"
Seals: P.T.F.E. virgin
Operating Temperature: -20°C +160°C
Surface Finish: Glossy

On Request

• KF connection

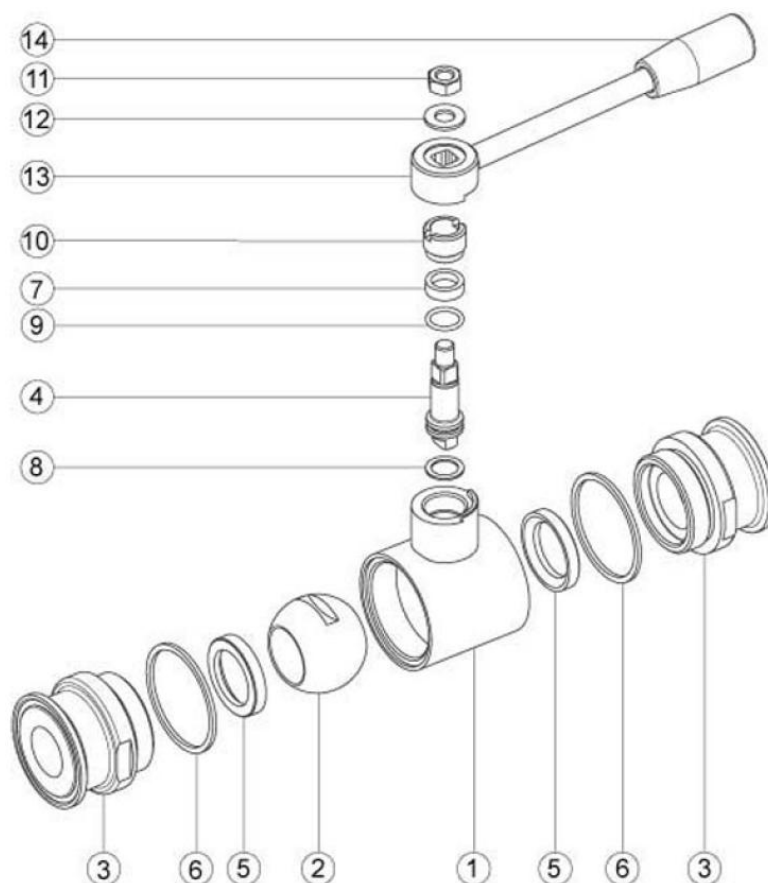


CLAMP	DN	L	Ø A	Ø B	C	H	PN	KG	304	CODICE AISI 316L
1/2"	10	88	24,8	9,7	110	50	64	0,43		100130 61210
3/4"	15	92	24,8	16	110	55	64	0,52		100130 61810
1"	20	102	50,4	22,2	110	60	64	0,93	100130 42410	100130 62410
1"	25	106	50,4	22,2	160	65	40	1,35	100130 42610	100130 62610
1 1/2"	32	112	50,4	34,8	160	70	40	1,42	100130 43210	100130 63210
1 1/2"	40	126	50,4	34,8	190	80	40	2,43	100130 43410	100130 63410
2"	40	126	64	47,4	190	80	40	2,42	100130 43610	100130 63610
2"	50	136	64	47,4	190	90	25	3,51	100130 43810	100130 63810
2 1/2"	65	154	77,5	60,2	235	110	25	5,80	100130 44410	100130 64410
3"	80	184	91	72,6	285	130	25	9,00	100130 44810	100130 64810
4"	100	190	119	97,6	310	150	25	13,60	100130 45410	100130 65410

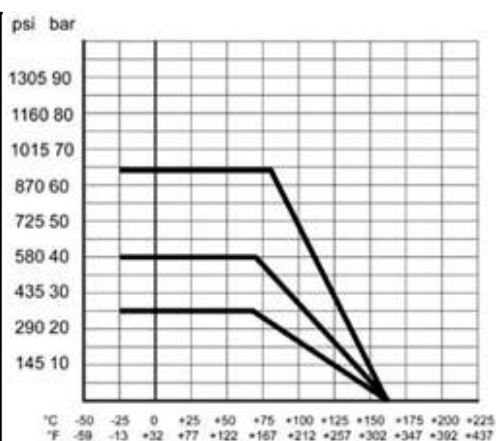


Sanitary
flow
equipment

SFA 100130 MAN-TC dimensions Rev.2.doc
Page 2 of 2



POS.	DENOMINAZIONE	P.ZI	MAT.
1	Corpo	1	AISI 316L
2	Sfera	1	AISI 316L
3	Manicotti	2	AISI 316L
4	Perno	1	AISI 316L
5	Guarnizioni sfera	2	PTFE
6	Guarnizioni manicotti	2	PTFE
7	Guarnizione perno	1	PTFE
8	Guarnizione perno	1	PTFE
9	OR di tenuta perno	1	FKM
10	Ghiera di registro	1	AISI 304L (303)
11	Dado	1	AISI 304L
12	Rondella	1	AISI 304L
13	Leva	1	AISI 304L
14	Impugnatura	1	Resina



Get the information you need and more at : info@aerreinox.it

In the interests of development and improvement of the product, we reserve the right to change the specifications without prior notice.

Aerre Innox s.r.l.

26010 FIESCO Via Gerola n.4 -CREMONA- Italy
Tel. +39.0374.370828 Fax +39.0374.370833
e-mail : info@aerreinox.it http : www.aerreinox.it